

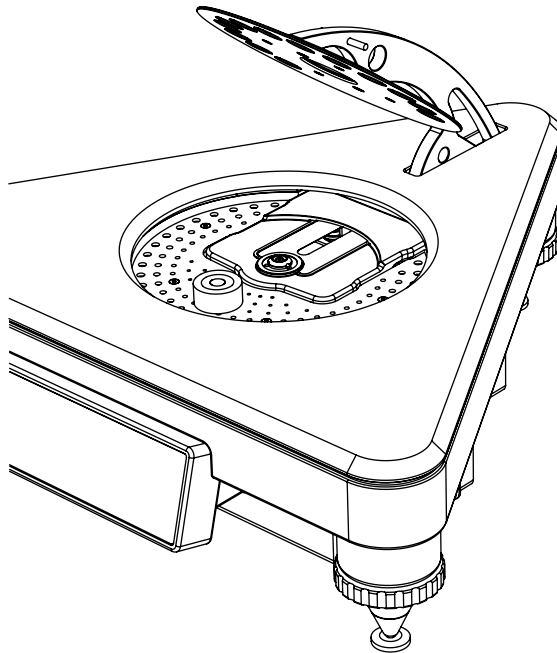
Setup Guide

The Gryphon Ethos

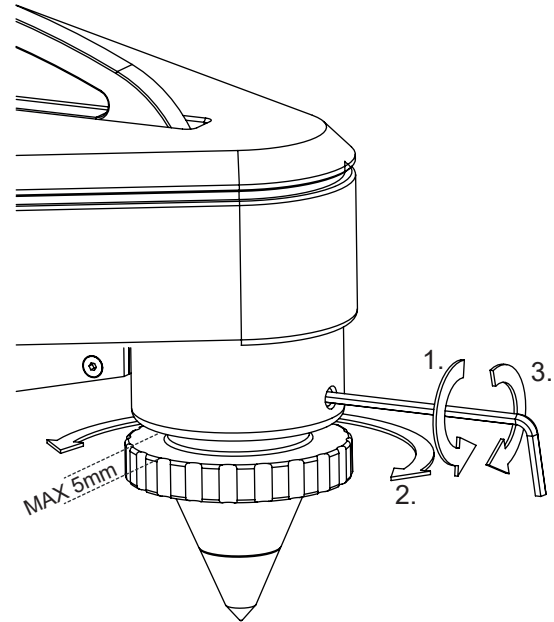
Please place the Ethos on a level and stable surface.
Use the metal coasters to protect the surface if needed.

Open the lid and carefully place the bubble level in the bottom of the drawer in front of the CD-drive.

(Please note that the leather pad is to be used as an coaster for the CD-clamp when changing CDs. Do not use it below the bubble level).



Adjust the feet as shown below to level the Ethos.



Remove the transit protector as shown on the card and save it for future use. Please refer to Owner's Manual for further instructions