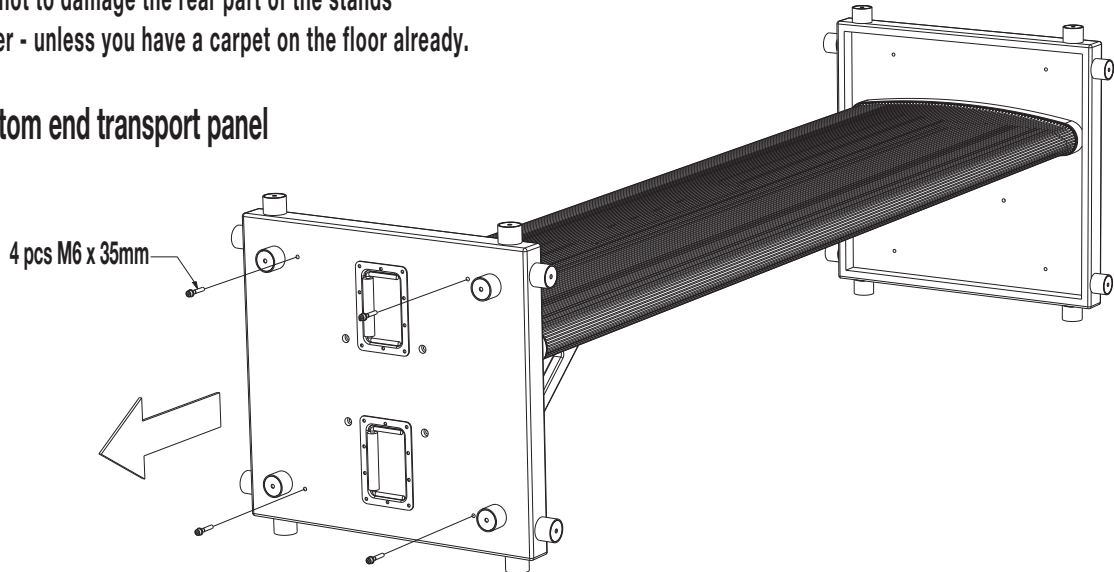




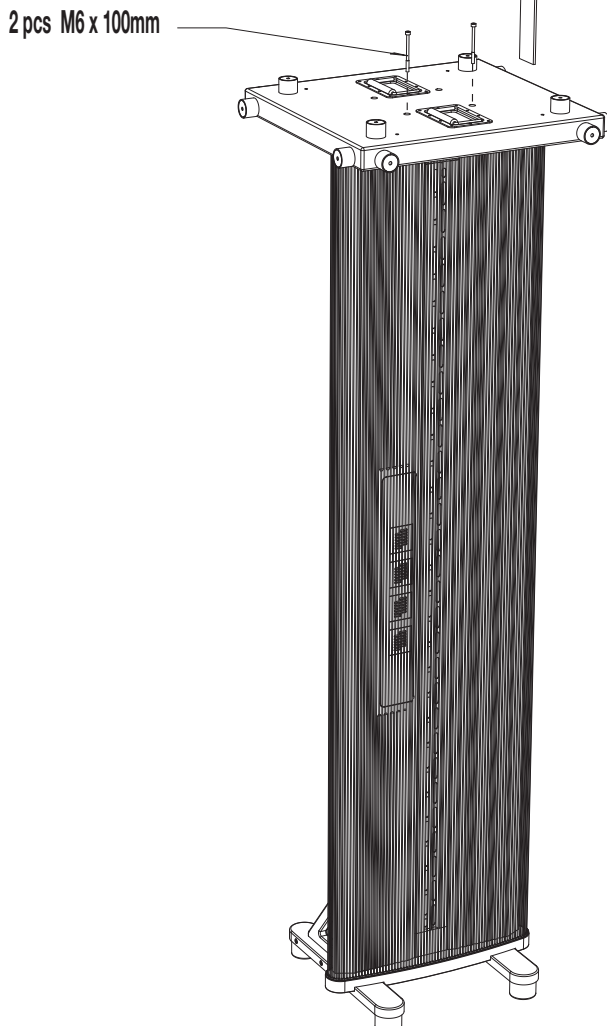
Assembly Guide for THE GRYPHON PENDRAGON Reference Speaker System - Mid/Tweeter tower

CAUTION! Place a piece of carpet under the bottom rear part of the tower in order not to damage the rear part of the stands while raising the tower - unless you have a carpet on the floor already.

1. Unmounting bottom end transport panel



2. Unmounting top end transport panel



3. Mounting top end panel screws

