

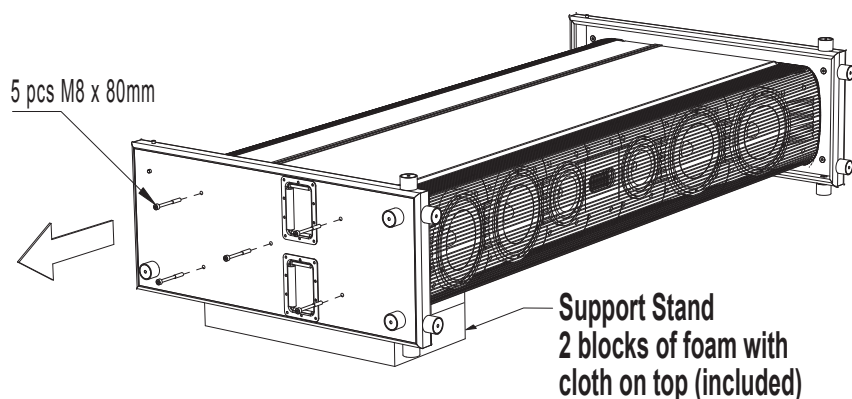


Assembly Guide for THE GRYPHON TRIDENT II Speaker System

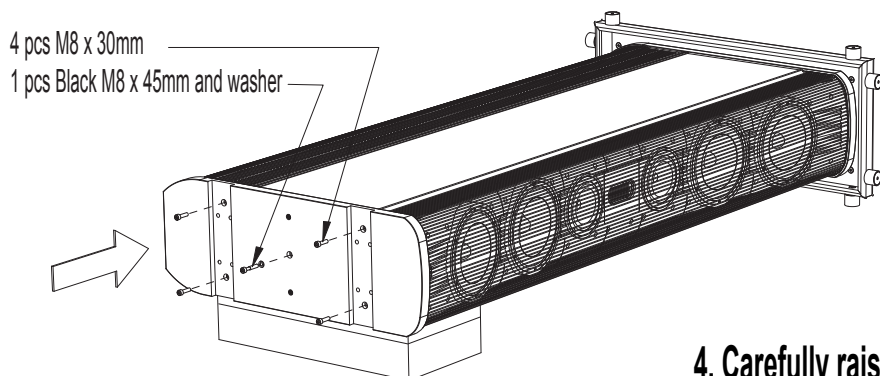
CAUTION! The Trident towers are a very heavy and should only be moved by 3-4 people to avoid damage or injury. When the speaker is upright, it can be turned and placed approximately at the intended position.

Place a piece of carpet under the bottom part of the tower in order not to damage the stands and feet while raising the tower.
- unless you have a carpet on the floor already.

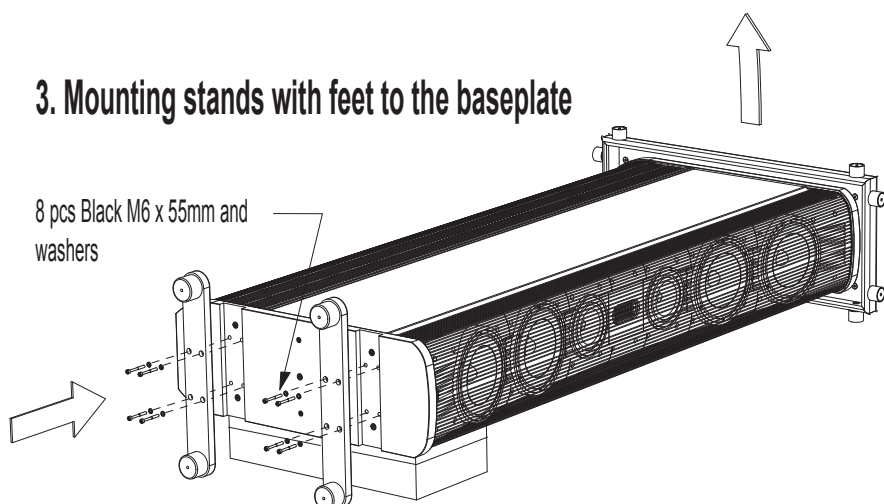
1. Unmounting bottom end transport panel



2. Mounting bottom end screws

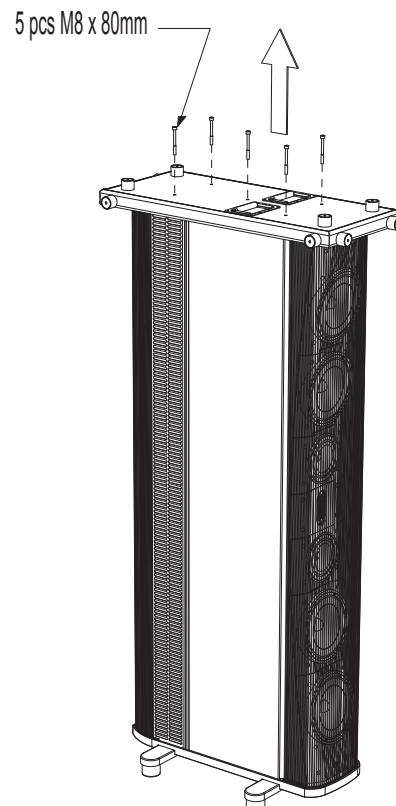


3. Mounting stands with feet to the baseplate



4. Carefully raise to vertical

5. Unmounting top end transport panel



6. Mounting top end screws

